

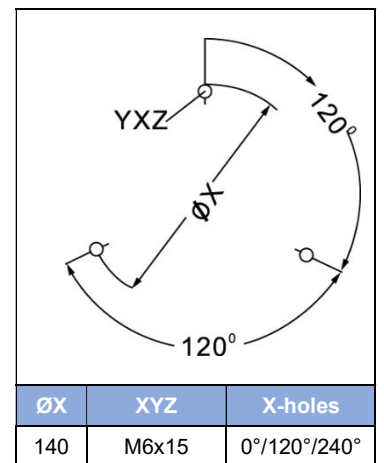
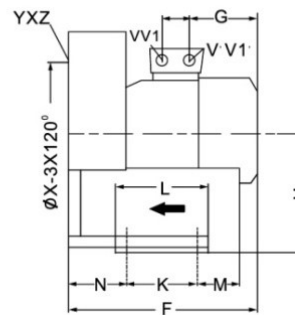
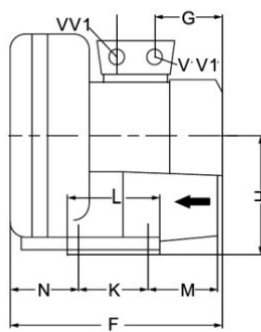
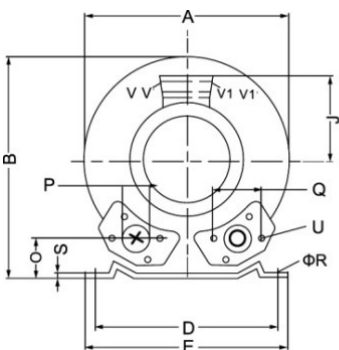
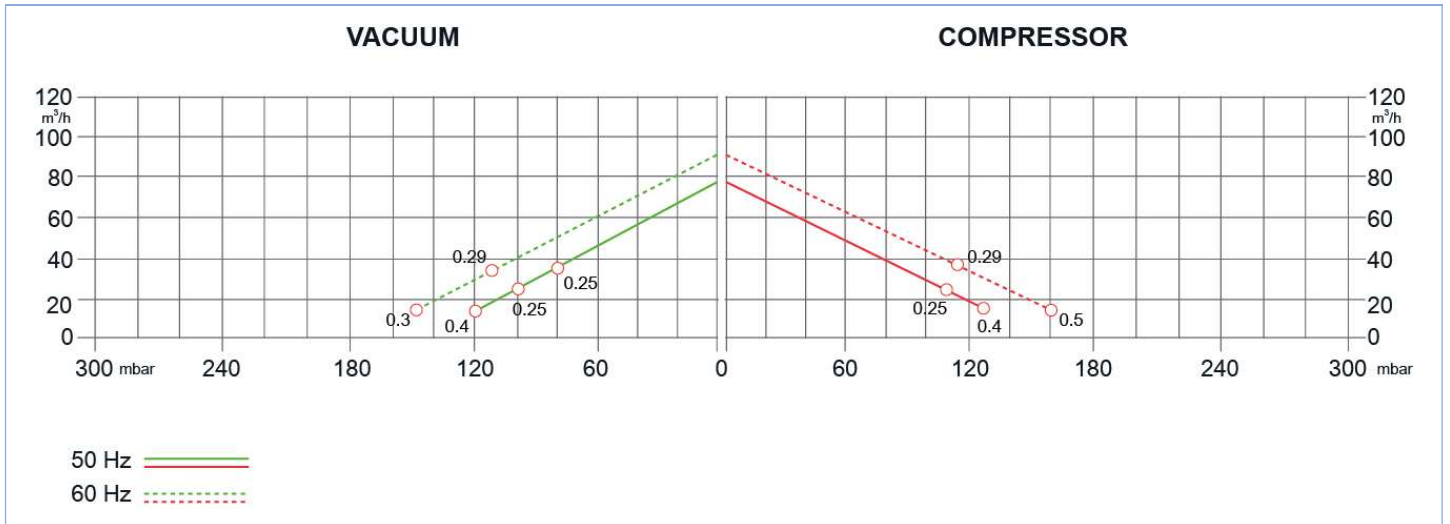
# SIDE CHANNEL BLOWERS

## BX 020 001 – Single Impeller – IE2



Construction of the ring blowers fans is based on the lateral ducts principle. The blowers can operate as either exhaust or compression fans and are designed for continuous service. The device is assembled directly on the motor shaft; all the rotating parts are dynamically balanced to ensure absolute absence of vibration. Full die-cast aluminum construction for maximum sturdiness and ease of handling. The characteristics data given here refer to the handling of gas with inlet temperature of 15°C, normal density of 1,23 kg/m<sup>3</sup> and absolute pressure of 1023 mbar. Tolerance of ±10%. Max gas inlet temperature 40°.

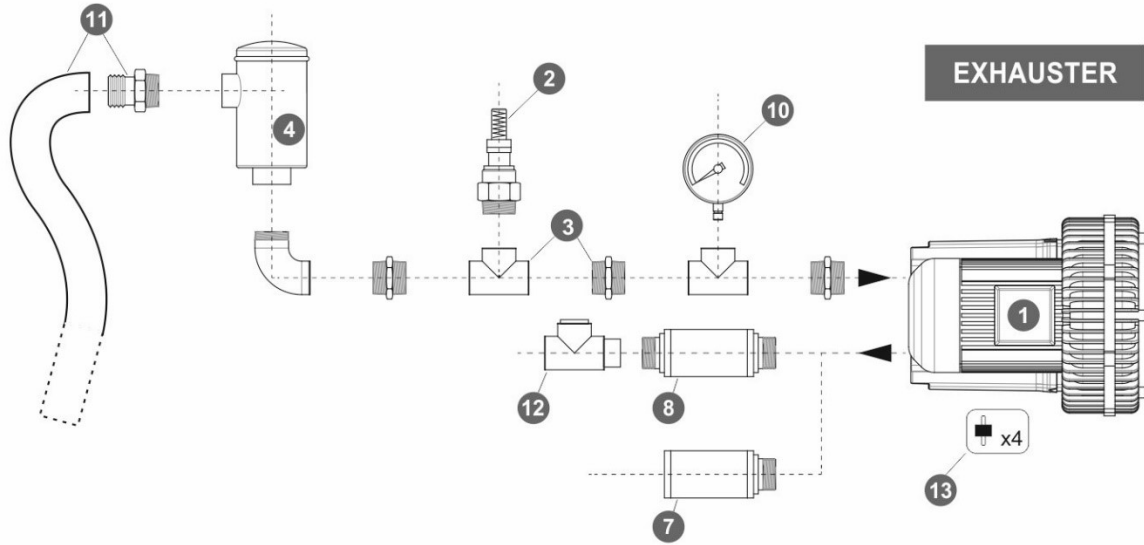
Model	Freq. [Hz]	Power [kW]	Voltage [V]		Rated Current [A]		Max Airflow [m <sup>3</sup> /h]	Rated VACUUM [mbar]	Rated COMPRESSOR [mbar]	Noise [dB A]	Weight [kg]
			△	Y	△	Y					
BX020 001 004 00	50	0.4	200÷240	345÷415	2.6	1.5	80	-120	130	53	10
	60	0.5	220÷275	380÷480	2.6	1.5	98	-150	160	56	
BX020 001 M04 00	50	0.4	200÷240		2.7		80	-120	130	53	
	60	0.5			3.2		98	-150	160	56	



MODEL	A	B	C	D	E	F	G	H	J	K	L	M	N	O	ØP	Q	ØR	S	U	(1~)		(3~)	
																				V	V'	V1	V1'
BX020 001 004 00	246	247	90	205	230	256	135	128	101	83	108	75	71	39	G1"¼	64	10	3	M6x19			M25X1.5	M16X1.5
BX020 001 M04 00																				M16X1.5	M25X1.5		

# SIDE CHANNEL BLOWERS

## BX 020 001 – Single Impeller – IE2



Ref. #	Description	Code
1	Side Channel Blower – Single Impeller / Single Stage – Ø1”¾ connection	BX 020 001_
2	Safety Valve	BXSV032AL03
3	Installation kit safety valve	BXKS032032C
4	In-Line filter	Paper Polyester Stainless Steel 30 µ Stainless Steel 60 µ
5	Cartridge filter	BXCF032PA007
6	Filter kit	Nipple Socket
7	Final Silencer	BXFS032ZP - BXFS032ZPR
8	In-Line silencer	BXIS032
9	Indoor filter	BXIF032ZP100
10	Gauge	Pressure Vacuum
11	Sleeve + Hose clip kit	BXSH032
12	Check valve	BXCV032AL
13	Anti-vibration pins	BXAV06

