



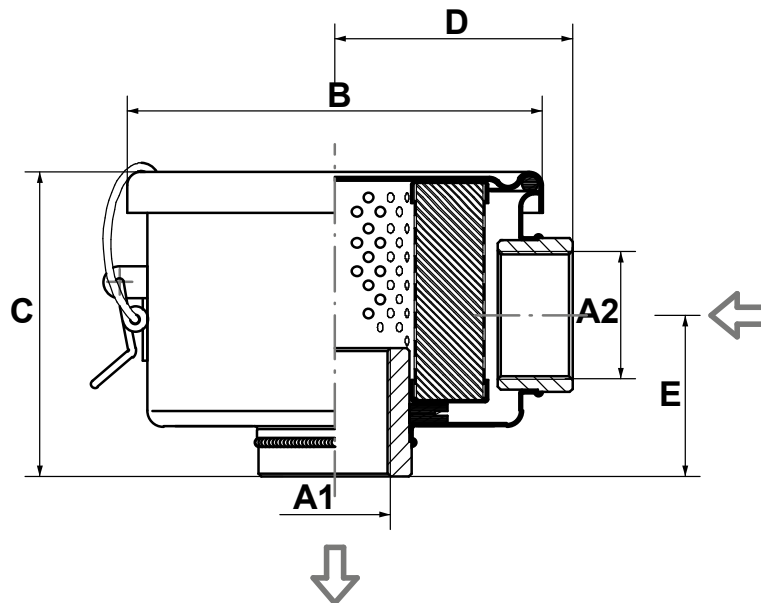
Filters from 1”1/4 to 4” and, upon request, we design filters with flows up to 4.000 m³/h. The cartridges fitted inside the complete filters can give different types of filtration (paper, polyester, inox) lending our products high level of dust collection. Each filter is tested at 100% safety standards before and after painting.

The cartridges fitted inside the complete filters can give different types of filtration:

- Paper - **standard version** - [PA] 5-7 µm *
- Polyester [PO] 25 µm *
- Stainless steel [SS] 30 µm *
- Stainless steel [SS] 60 µm *

This series of filters is widely used in motors for: Machine Tools, Earth Movers, Compressors and Combustion Engines. They are available with threaded connections, filters with special connections can be supplied upon request. The filter element made of high quality treated paper, and a filtration degree of 5 - 7 µm, assures maximum protection.

Other available filter elements: polyester (25 µm) or stainless steel (30 or 60 µm).



FILTER CODE *	Capacity [m ³ /h]	A1	A2	B	C	D	E	CARTRIDGE CODE – BLSPIL_____		
								Paper - PA	Polyester - PO	INOX – SS
BXIL032PA007	150	1”1/4 BSPP	176	161	100	85	_032PA007	_032PO025	_032SS030 / 060	
BXIL040PA007	200	1”1/2 BSPP	176	196	98	110	_040PA007	_040PO025	_040SS030 / 060	
BXIL050PA007	320	2” BSPP	199	256	113.5	129	_050PA007	_050PO025	_050SS030 / 060	
BXIL065PA007	340	2”1/2 BSPP	199	258.5	113.5	129	_065PA007	_065PO025	-	
BXIL080PA007	-	3” BSPP	-	-	-	-	_080PA007	_080PO025	-	
BXIL100PA007	750	4” BSPP	308	336	166	202	_100PA007	_100PO025	-	

* BXIL_PA007 is standard version. Also available (on request): BXIL_PO025, BXIL_SS030 and BXIL_SS060.