

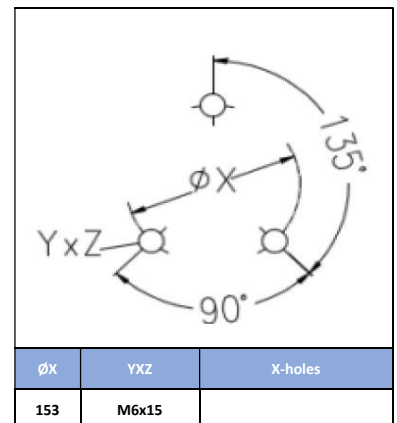
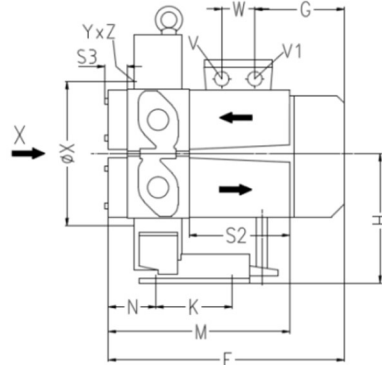
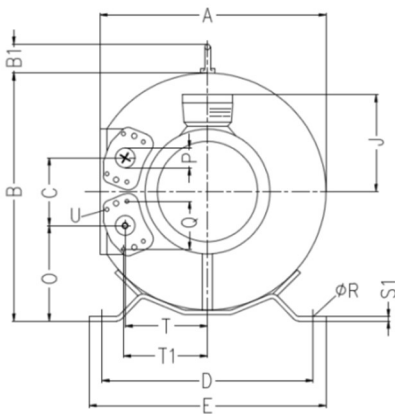
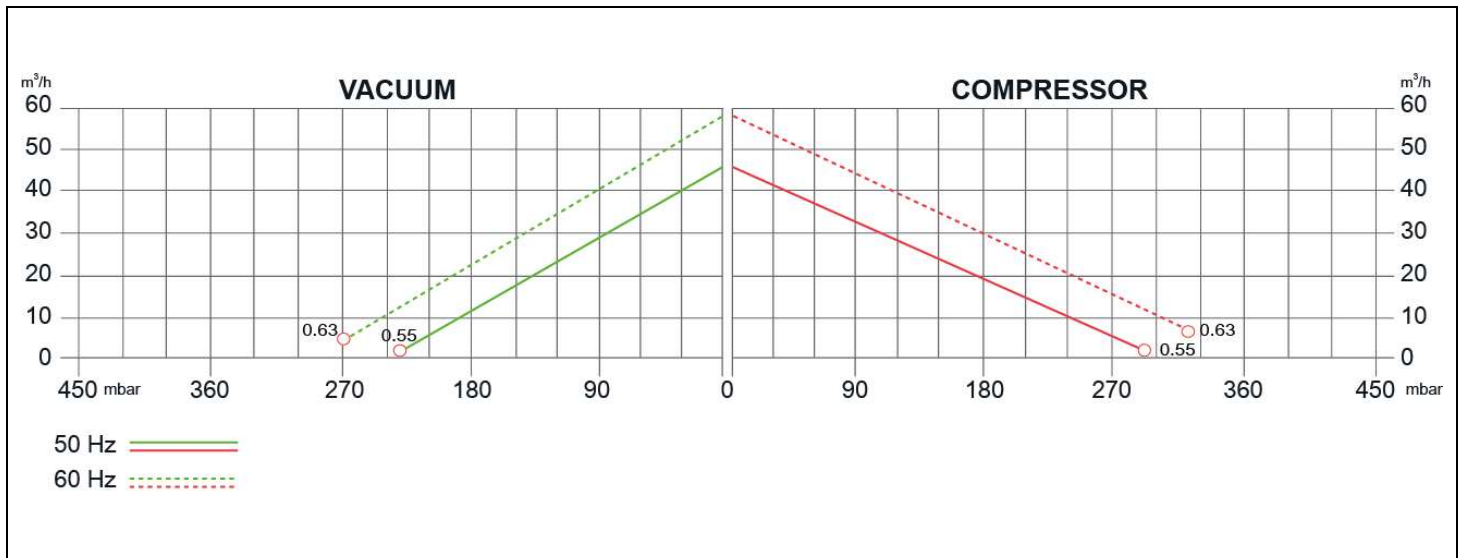
SIDE CHANNEL BLOWERS *HP*

BX 024 001 – Single Impeller – IE2



Construction of the ring blowers fans is based on the lateral ducts principle. The blowers can operate as either exhaust or compression fans and are designed for continuous service. The device is assembled directly on the motor shaft; all the rotating parts are dynamically balanced to ensure absolute absence of vibration. Full die-cast aluminum construction for maximum sturdiness and ease of handling. The characteristics data given here refer to the handling of gas with inlet temperature of 15°C, normal density of 1,23 kg/m³ and absolute pressure of 1023 mbar. Tolerance of ±10%. Max gas inlet temperature 40°.

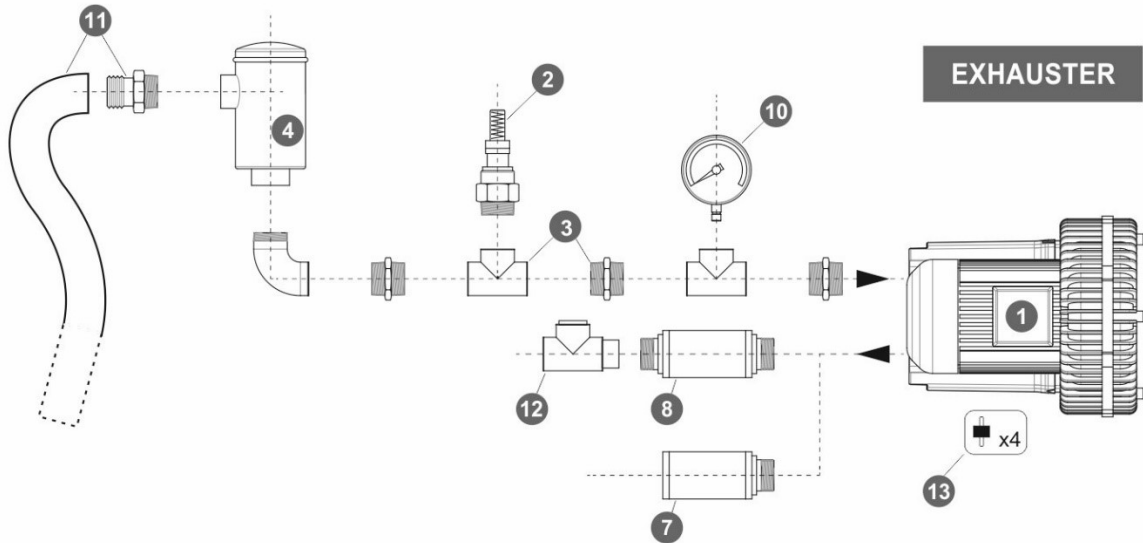
Model	Freq. [Hz]	Power [kW]	Voltage [V]		Rated Current [A]		Max Airflow [m ³ /h]	Rated VACUUM [mbar]	Rated COMPRESSOR [mbar]	Noise [dB A]	Weight [kg]
			Δ	Y	Δ	Y					
BX024 001 M05 00	50	0.55	200÷240		3.1		47	-230	290	57	18
	60	0.63			7.1		57	-270	320	62	
BX024 001 005 00	50	0.55	200÷240	345÷415	2.8	1.6	47	-230	290	57	16
	60	0.63	220÷275	380÷480	3	1.7	57	-270	320	62	



MODEL	A	B	B1	C	D	E	F	G	H	J	K	M	N	O	P	Q	ØR	S1	S2	S3	T	T1	U	V	V1	W
BX024 001 005 00	294	319	39	87	260	298	293	129	167	111	105	252	65	124	G 1/4	64	14	4	140	31	105	107	M6x17	M25x1.5	M16x1.5	32
BX024 001 M05 00																										

SIDE CHANNEL BLOWERS *HP*

BX 024 001 – Single Impeller – IE2



Ref. #	Description	Code
1	Side Channel Blower – Single Impeller / Single Stage – 1 1/4" connection	BX 024 001_
2	Safety Valve	BXSV032AL03
3	Installation kit safety valve	BXKS032032C
4	In-Line filter	Paper Polyester Stainless Steel 30 µ Stainless Steel 60 µ
5	Cartridge filter	BXCF032PA007
6	Filter kit	Nipple Socket
7	Silenziatore finale	BXFS032ZP - BXFS032ZPR
8	In-Line silencer	BXIS032
9	Indoor filter	BXIF032ZP100
10	Gauge	Pressure Vacuum
11	Sleeve + Hose clip kit	BXSH032
12	Check valve	BXCV032AL
13	Anti-vibration pins	BXAV06

