

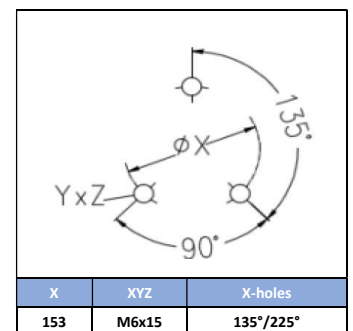
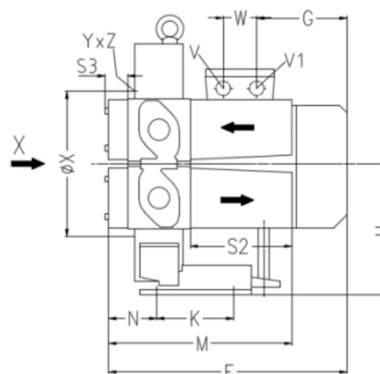
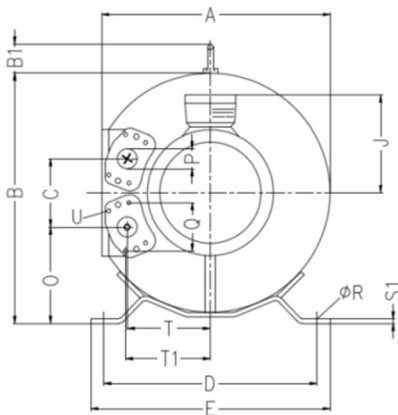
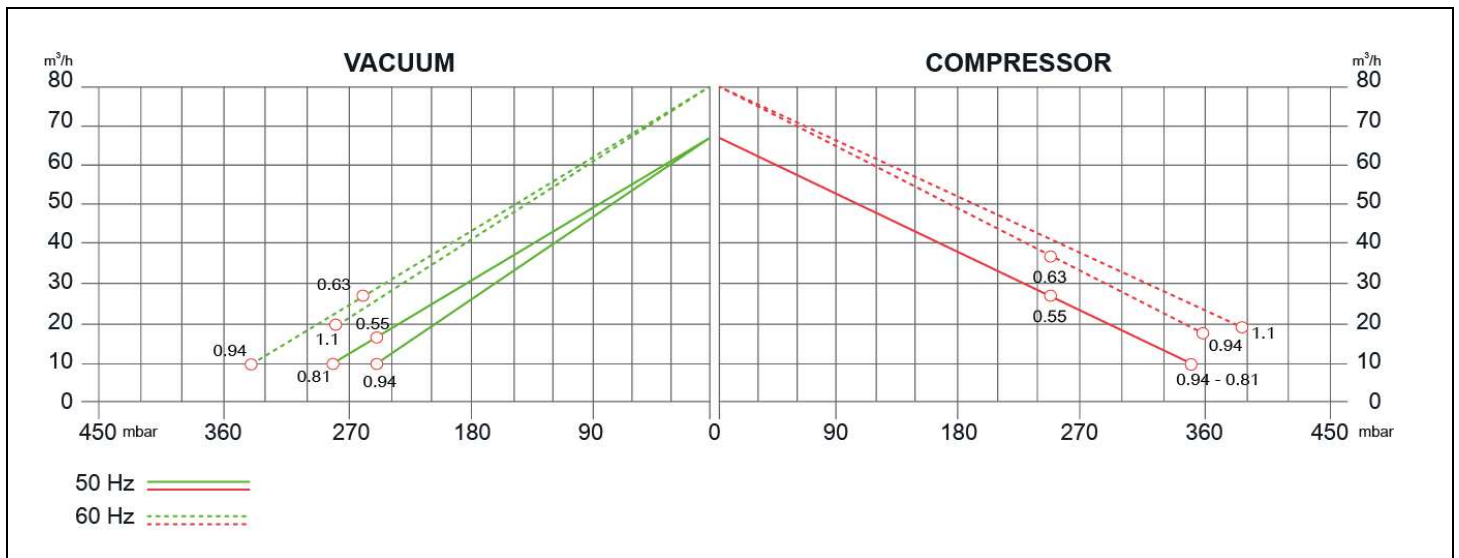
# SIDE CHANNEL BLOWERS HP

## BX 034 001 – Single Impeller – IE2



Construction of the ring blowers fans is based on the lateral ducts principle. The blowers can operate as either exhaust or compression fans and are designed for continuous service. The device is assembled directly on the motor shaft; all the rotating parts are dynamically balanced to ensure absolute absence of vibration. Full die-cast aluminum construction for maximum sturdiness and ease of handling. The characteristics data given here refer to the handling of gas with inlet temperature of 15°C, normal density of 1,23 kg/m<sup>3</sup> and absolute pressure of 1023 mbar. Tolerance of ±10%. Max gas inlet temperature 40°.

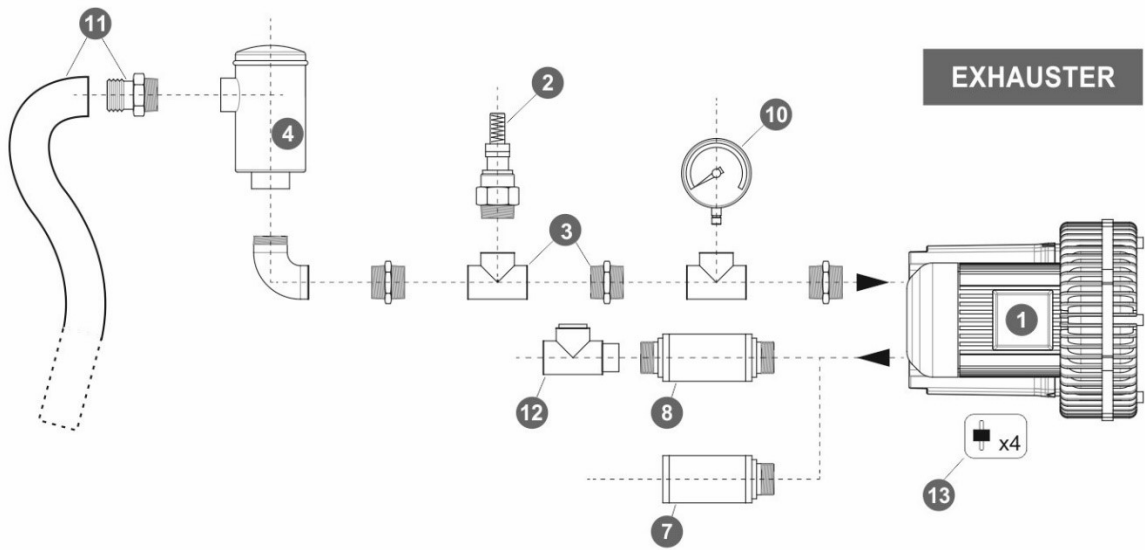
| Model            | Freq. [Hz] | Power [kW] | Voltage [V] |         | Rated Current [A] |     | Max Airflow [m <sup>3</sup> /h] | Rated VACUUM [mbar] | Rated COMPRESSOR [mbar] | Noise [dB A] | Weight [kg] |
|------------------|------------|------------|-------------|---------|-------------------|-----|---------------------------------|---------------------|-------------------------|--------------|-------------|
|                  |            |            | △           | Y       | △                 | Y   |                                 |                     |                         |              |             |
| BX034 001 M09 00 | 50         | 0.94       | 200÷240     |         | 7.6               |     | 66                              | -250                | 350                     | 57           | 18          |
|                  | 60         | 1.1        |             |         |                   |     |                                 |                     |                         |              |             |
| BX034 001 005 00 | 50         | 0.55       | 200÷240     | 345÷415 | 2.8               | 1.6 | 66                              | -250                | 250                     | 57           | 16          |
|                  | 60         | 0.63       | 220÷275     | 380÷480 | 3                 | 1.7 |                                 |                     |                         |              |             |
| BX034 001 009 00 | 50         | 0.81       | 200÷240     | 345÷415 | 4                 |     | 66                              | -280                | 350                     | 57           | 17          |
|                  | 60         | 0.94       | 220÷275     | 380÷480 |                   |     |                                 |                     |                         |              |             |



| MODEL            | A   | B   | B1 | C  | D   | E   | F   | G   | H   | J   | K   | M   | N  | O   | P    | Q  | ØR | S1 | S2  | S3 | T   | T1  | U     | V       | V1      | W  |
|------------------|-----|-----|----|----|-----|-----|-----|-----|-----|-----|-----|-----|----|-----|------|----|----|----|-----|----|-----|-----|-------|---------|---------|----|
| BX034 001 005 00 |     |     |    |    |     |     |     |     |     |     |     |     |    |     |      |    |    |    |     |    |     |     |       |         |         |    |
| BX034 001 009 00 | 313 | 339 | 39 | 94 | 290 | 325 | 295 | 153 | 177 | 120 | 105 | 256 | 67 | 130 | G 1¼ | 64 | 14 | 4  | 140 | 31 | 114 | 116 | M6x17 | M25x1.5 | M16x1.5 | 32 |
| BX034 001 M09 00 |     |     |    |    |     |     |     |     |     |     |     |     |    |     |      |    |    |    |     |    |     |     |       |         |         |    |

# SIDE CHANNEL BLOWERS *HP*

## BX 034 001 – Single Impeller – IE2



| Ref. # | Description  | Code   |
|--------|--|--|
| 1      | Side Channel Blower – Single Impeller / Single Stage – 1” $\frac{1}{4}$ connection | BX 034 001_  |
| 2      | Safety Valve   | BXSV032AL36  |
| 3      | Installation kit safety valve  | BXKS032032C  |
| 4      | In-Line filter   | Paper<br>Polyester<br>Stainless Steel 30 $\mu$<br>Stainless Steel 60 $\mu$ |
| 5      | Cartridge filter   | BXCF032PA007   |
| 6      | Filter kit   | Nipple<br>Socket   |
| 7      | Silenziatore finale  | BXFS032ZP - BXFS032ZPR   |
| 8      | In-Line silencer   | BXIS032  |
| 9      | Indoor filter  | BXIF032ZP100   |
| 10     | Gauge  | Pressure<br>Vacuum   |
| 11     | Sleeve + Hose clip kit   | BXSH032  |
| 12     | Check valve  | BXCV032AL  |
| 13     | Anti-vibration pins  | BAV06  |

