

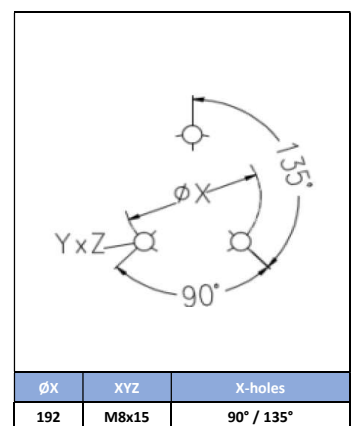
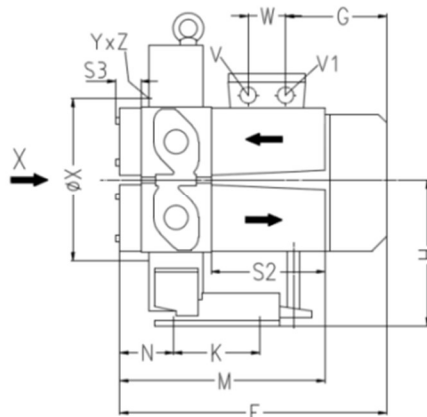
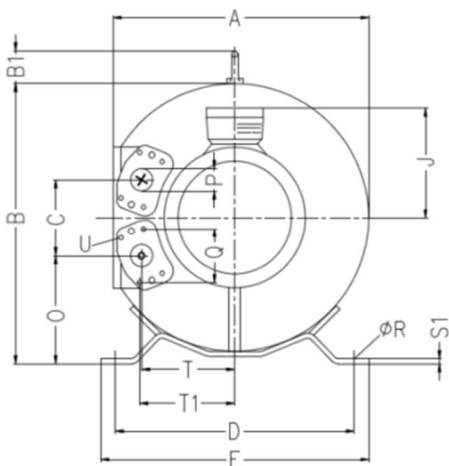
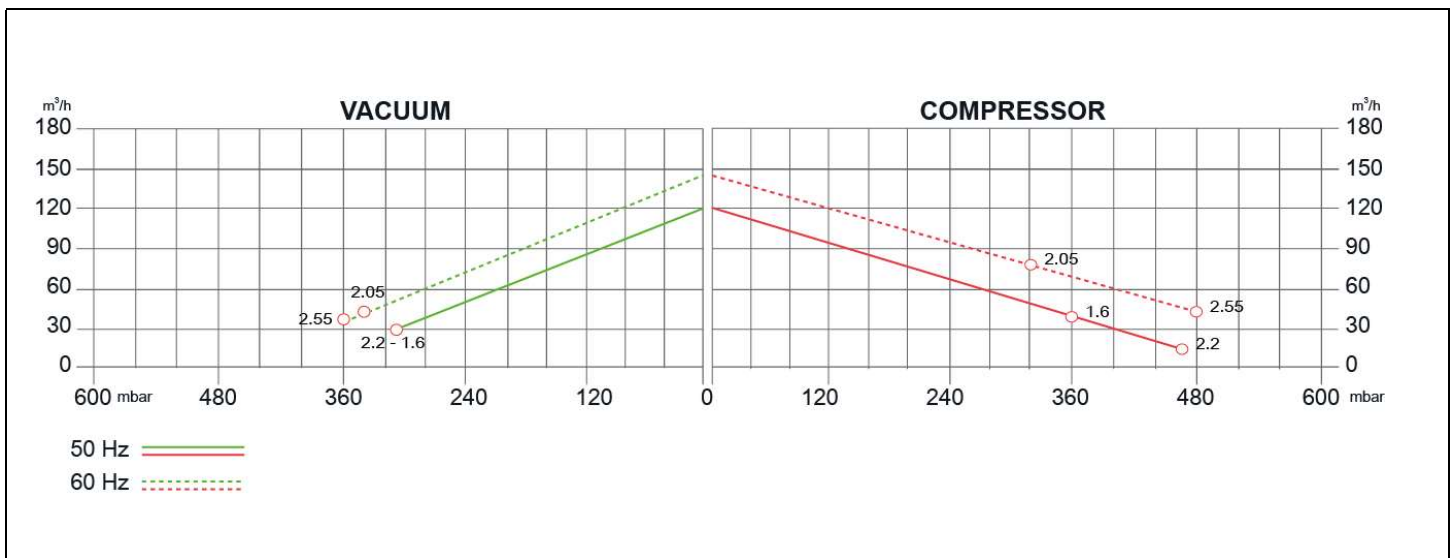
SIDE CHANNEL BLOWERS HP

BX 054 001 – Single Impeller – IE2



Construction of the ring blowers fans is based on the lateral ducts principle. The blowers can operate as either exhaust or compression fans and are designed for continuous service. The device is assembled directly on the motor shaft; all the rotating parts are dynamically balanced to ensure absolute absence of vibration. Full die-cast aluminum construction for maximum sturdiness and ease of handling. The characteristics data given here refer to the handling of gas with inlet temperature of 15°C, normal density of 1,23 kg/m³ and absolute pressure of 1023 mbar. Tolerance of ±10%. Max gas inlet temperature 40°.

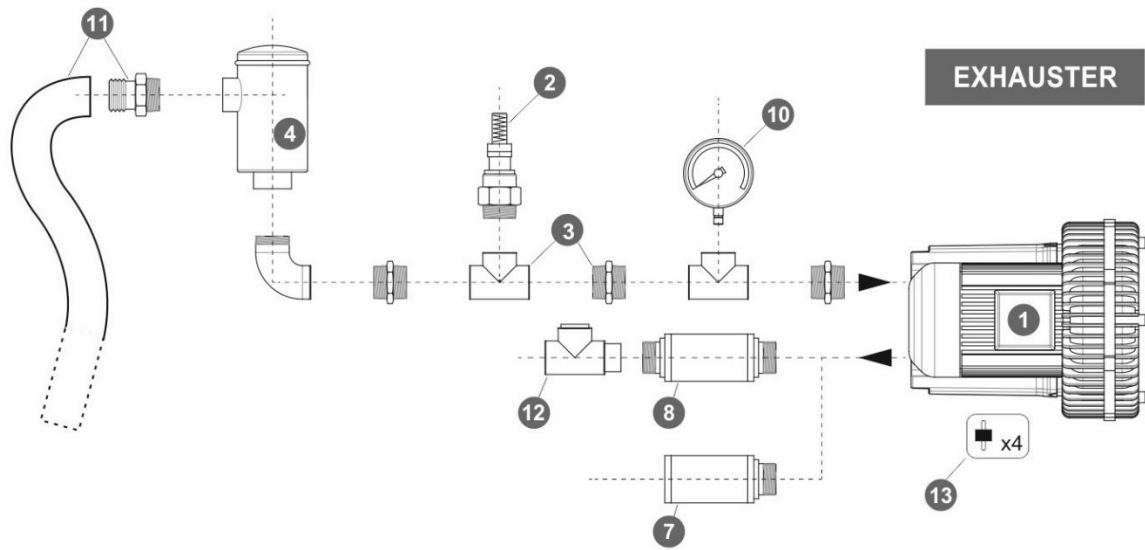
Model	Freq. [Hz]	Power [kW]	Voltage [V]		Rated Current [A]		Max Airflow [m ³ /h]	Rated VACUUM [mbar]	Rated COMPRESSOR [mbar]	Noise [dB A]	Weight [kg]
			△	Y	△	Y					
BX054 001 016 00	50	1.6	200÷240	345÷415	7.5	4.3	120	-310	360	64	26
	60	2.05	220÷275	380÷480	7.6	4.4	145	-340	320	68	
BX054 001 022 00	50	2.2	200÷240	345÷415	11.4	6.6	120	-310	470	64	29
	60	2.55	220÷275	380÷480	11.2	6.5	145	-360	480	68	



MODEL	A	B	B1	C	D	E	F	G	H	J	K	M	N	O	P	Q	ØR	S1	S2	S3	T	T1	U	V	V1	W
BX054 001 016 00	368	395	39	114	328	363	361	185	205	128	152	265	68	148	G 1/4	64	14	5	140	31	137	138	M6x17	M25x1.5	M16x1.5	32
BX054 001 022 00																										

SIDE CHANNEL BLOWERS *HP*

BX 054 001 – Single Impeller – IE2



Ref. #	Description	Code
1	Side Channel Blower – Single Impeller / Single Stage – 1” $\frac{1}{4}$ connection	BX 054 001_
2	Safety Valve	BXSV032AL36
3	Installation kit safety valve	BXKS032032C
4	In-Line filter	Paper Polyester Stainless Steel 30 μ Stainless Steel 60 μ
5	Cartridge filter	BXCF032PA007
6	Filter kit	Nipple Socket
7	Silenziatore finale	BXFS032ZP - BXFS032ZPR
8	In-Line silencer	BXIS032
9	Indoor filter	BXIF032ZP100
10	Gauge	Pressure Vacuum
11	Sleeve + Hose clip kit	BXSH032
12	Check valve	BXCV032AL
13	Anti-vibration pins	BXAV06

