

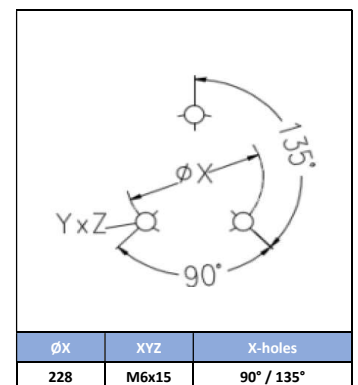
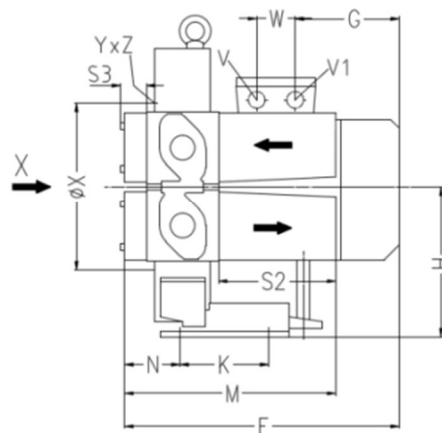
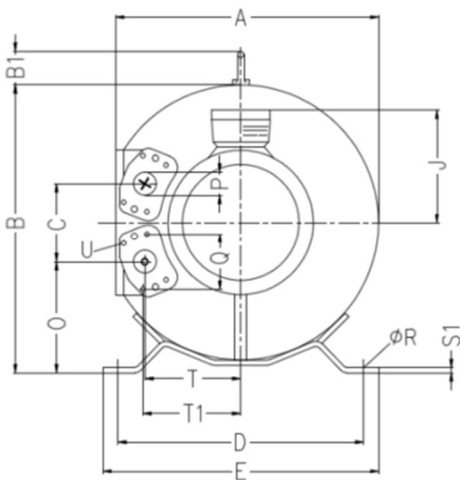
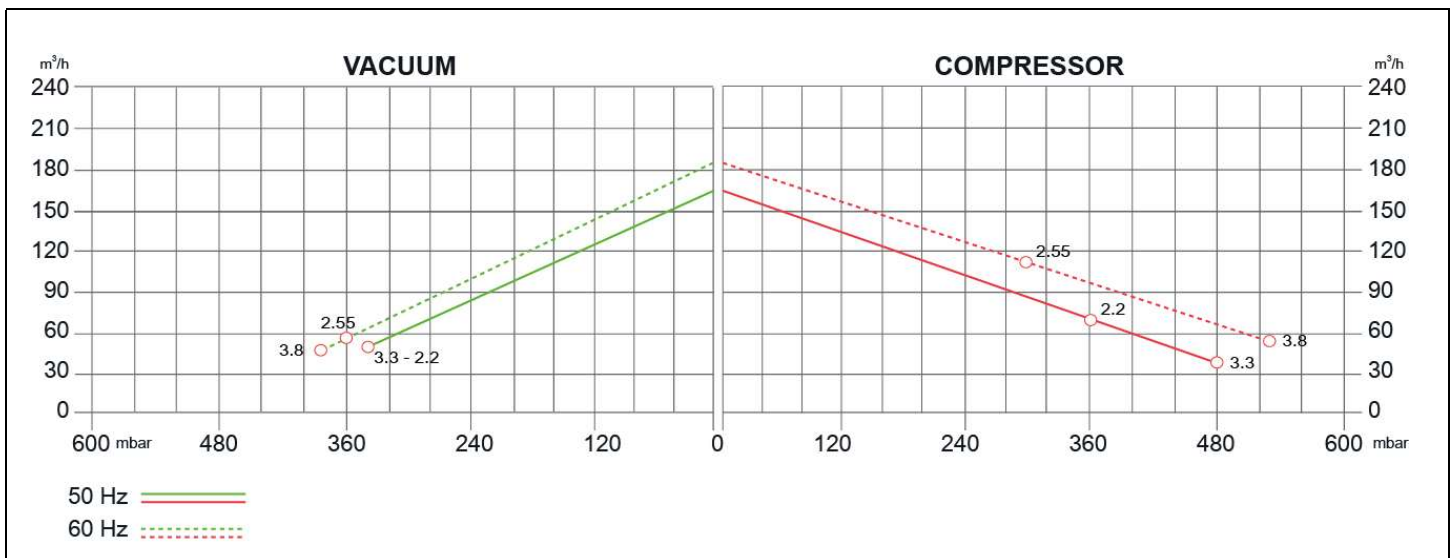
# SIDE CHANNEL BLOWERS *HP*

## BX 064 001 – Single Impeller – IE2



Construction of the ring blowers fans is based on the lateral ducts principle. The blowers can operate as either exhaust or compression fans and are designed for continuous service. The device is assembled directly on the motor shaft; all the rotating parts are dynamically balanced to ensure absolute absence of vibration. Full die-cast aluminum construction for maximum sturdiness and ease of handling. The characteristics data given here refer to the handling of gas with inlet temperature of 15°C, normal density of 1,23 kg/m<sup>3</sup> and absolute pressure of 1023 mbar. Tolerance of ±10%. Max gas inlet temperature 40°.

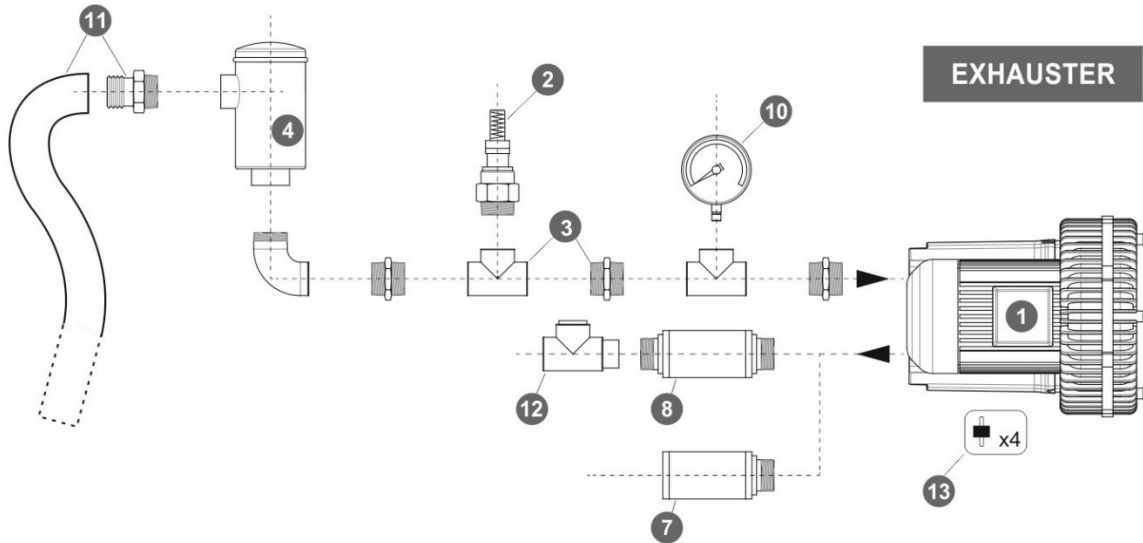
Model	Freq. [Hz]	Power [kW]	Voltage [V]		Rated Current [A]		Max Airflow [m <sup>3</sup> /h]	Rated VACUUM [mbar]	Rated COMPRESSOR [mbar]	Noise [dB A]	Weight [kg]
			△	Y	△	Y					
BX064 001 022 00	50	2.2	200÷240	345÷415	11.4	6.6	165	-340	360	65	32
	60	2.55	220÷275	380÷480	11.2	6.5	195	-360	315	71	
BX064 001 030 00	50	3.3	200÷240	345÷415	13	7.5	165	-340	480	65	35
	60	3.8	220÷275	380÷480	14.2	8.2	195	-380	530	71	



MODEL	A	B	B1	C	D	E	F	G	H	J	K	M	N	O	P	Q	ØR	S1	S2	S3	T	T1	U	V	V1	W
BX064 001 022 00	418	555	39	127	371	406	364	129	235	111	105	271	72	172	G 1¼	64	14	4	140	31	153	155	M6x17	M25x1.5	M16x1.5	32
BX064 001 030 00							390	211																		

# SIDE CHANNEL BLOWERS *HP*

## BX 064 001 – Single Impeller – IE2



Ref. #	Description	Code
<b>1</b>	<b>Side Channel Blower – Single Impeller / Single Stage – 1 1/4" connection</b>	<b>BX 064 001_</b>
<b>2</b>	Safety Valve	BXSV032AL36
<b>3</b>	Installation kit safety valve	BXKS032032C
<b>4</b>	In-Line filter	Paper Polyester Stainless Steel 30 µ Stainless Steel 60 µ
<b>5</b>	Cartridge filter	BXCF032PA007
<b>6</b>	Filter kit	Nipple Socket
<b>7</b>	Silenziatore finale	BXFS032ZP - BXFS032ZPR
<b>8</b>	In-Line silencer	BXIS032
<b>9</b>	Indoor filter	BXIF032ZP100
<b>10</b>	Gauge	Pressure Vacuum
<b>11</b>	Sleeve + Hose clip kit	BXSH032
<b>12</b>	Check valve	BXCV032AL
<b>13</b>	Anti-vibration pins	BXAV06

