

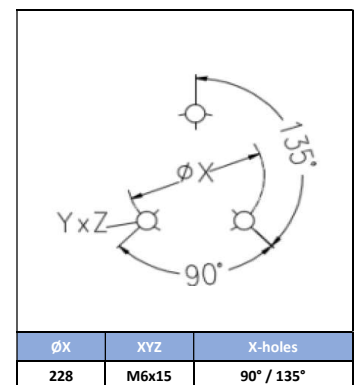
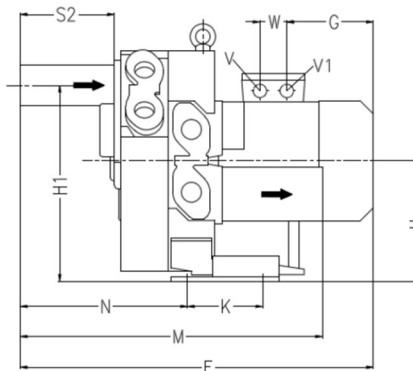
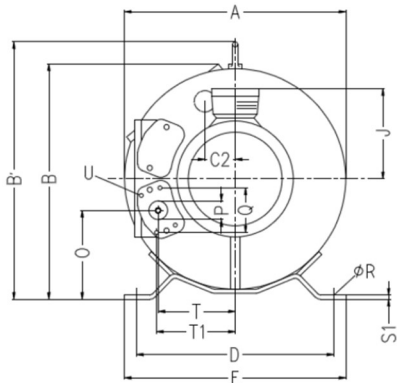
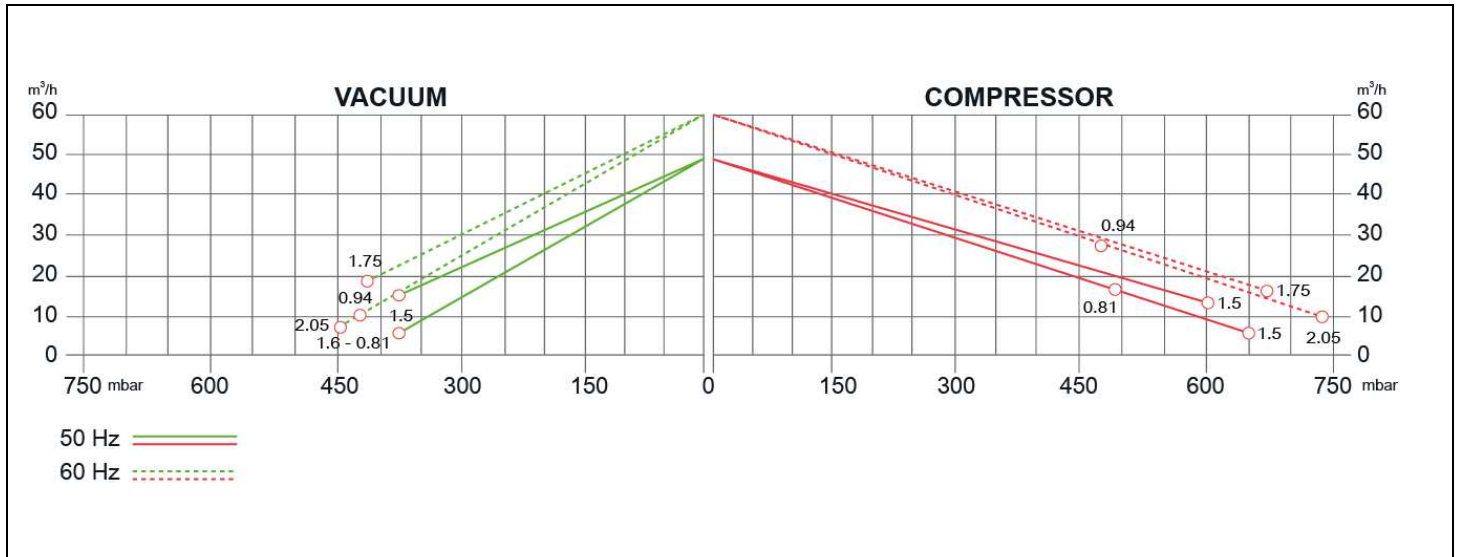
# SIDE CHANNEL BLOWERS *HP*

## BX 224 002 – Double Impeller – IE2



Construction of the ring blowers fans is based on the lateral ducts principle. The blowers can operate as either exhaust or compression fans and are designed for continuous service. The device is assembled directly on the motor shaft; all the rotating parts are dynamically balanced to ensure absolute absence of vibration. Full die-cast aluminum construction for maximum sturdiness and ease of handling. The characteristics data given here refer to the handling of gas with inlet temperature of 15°C, normal density of 1,23 kg/m<sup>3</sup> and absolute pressure of 1023 mbar. Tolerance of ±10%. Max gas inlet temperature 40°.

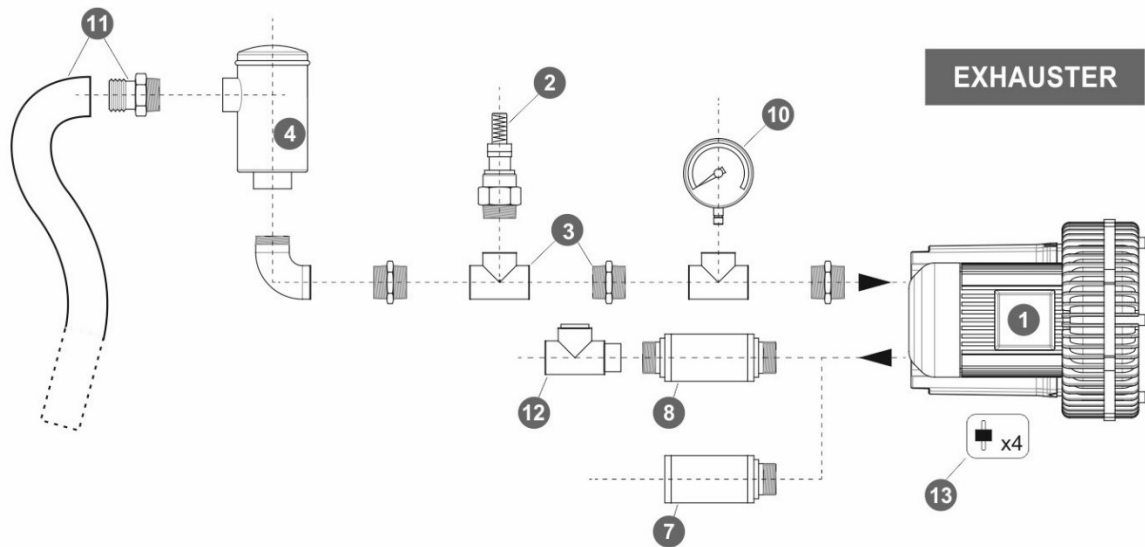
Model	Freq. [Hz]	Power [kW]	Voltage [V]		Rated Current [A]		Max Airflow [m <sup>3</sup> /h]	Rated VACUUM [mbar]	Rated COMPRESSOR [mbar]	Noise [dB A]	Weight [kg]
			△	Y	△	Y					
BX224 002 M15 00	50	1.5	200÷240		9.7		47	-370	600	58	30
	60	1.75									
BX224 002 009 00	50	0.81	200÷240	345÷415	4	2.3	47	-370	490	58	24
	60	0.94	220÷275	380÷480							
BX224 002 016 00	50	1.6	200÷240	345÷415	7.5	4.3	47	-370	650	58	28
	60	2.05	220÷275	380÷480							



MODEL	A	B	B'	C2	D	E	F	G	H	H1	J	K	M	N	O	P	Q	ØR	S1	S2	S3	T	T1	U	V	V1	W
BX224 002 009 00							469	130			111																
BX224 002 015 00	313	326	359	43	260	298	525	185	167	272	128	105	426	241	123	G 1¼	64	14	4	140	31	105	107	M6x17	M25x1.5	M16x1.5	32
BX224 002 M15 00																											

# SIDE CHANNEL BLOWERS *HP*

## BX 224 002 – Double Impeller – IE2



Ref. #	Description	Code
1	Side Channel Blower – Double Impeller / Double Stage – 1"½ connection	BX 224 002_
2	Safety Valve	-
3	Installation kit safety valve	-
4	In-Line filter	Paper Polyester Stainless Steel 30 µ Stainless Steel 60 µ
5	Cartridge filter	BXCF032PA007
6	Filter kit	Nipple Socket
7	Silenziatore finale	BXFS032ZP - BXFS032ZPR
8	In-Line silencer	BXIS032
9	Indoor filter	BXIF032ZP100
10	Gauge	Pressure Vacuum
11	Sleeve + Hose clip kit	BXSH032
12	Check valve	BXCV032AL
13	Anti-vibration pins	BXAV06

