

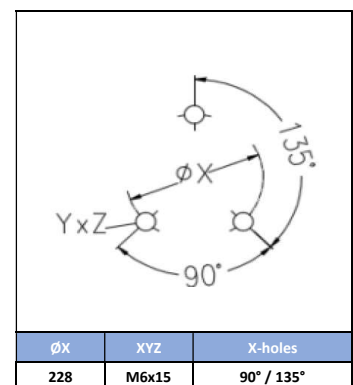
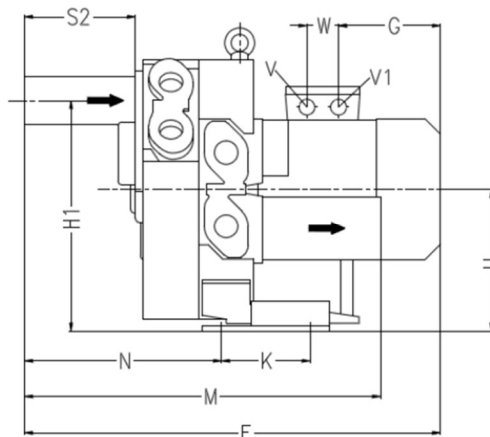
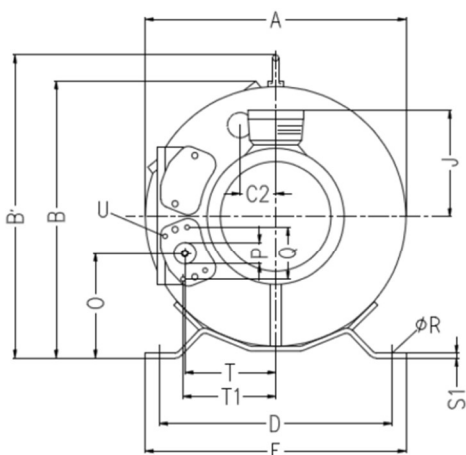
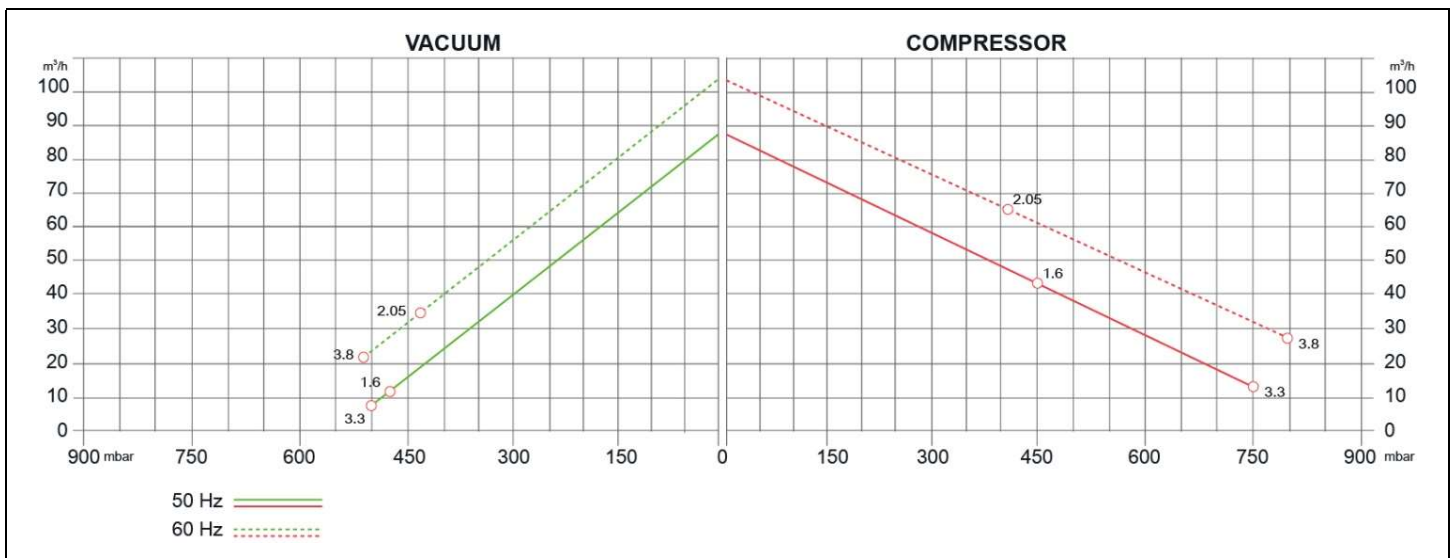
SIDE CHANNEL BLOWERS *HP*

BX 424 002 – Double Impeller – IE2



Construction of the ring blowers fans is based on the lateral ducts principle. The blowers can operate as either exhaust or compression fans and are designed for continuous service. The device is assembled directly on the motor shaft; all the rotating parts are dynamically balanced to ensure absolute absence of vibration. Full die-cast aluminum construction for maximum sturdiness and ease of handling. The characteristics data given here refer to the handling of gas with inlet temperature of 15°C, normal density of 1,23 kg/m³ and absolute pressure of 1023 mbar. Tolerance of ±10%. Max gas inlet temperature 40°.

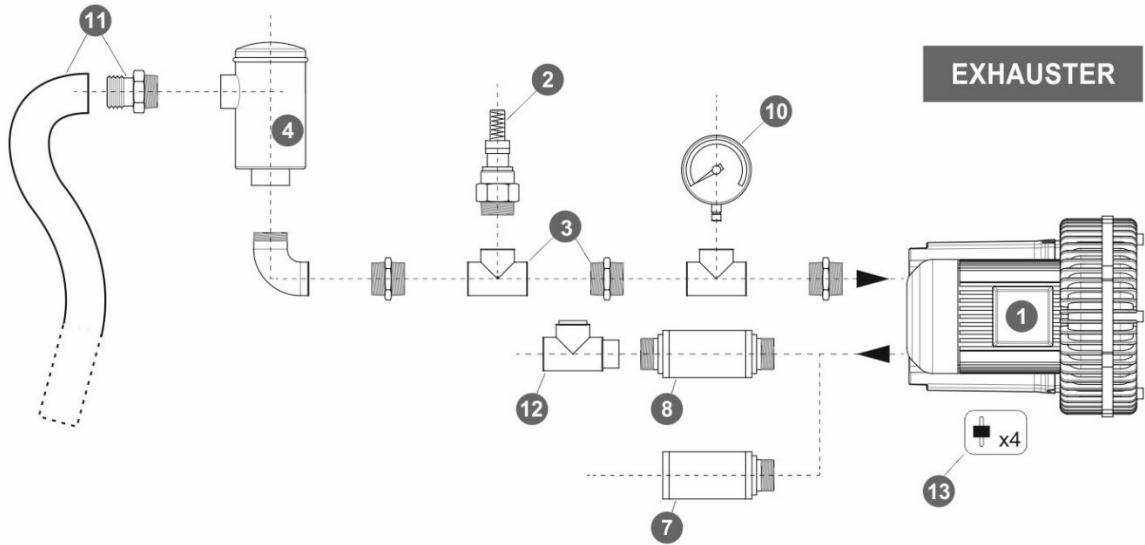
Model	Freq. [Hz]	Power [kW]	Voltage [V]		Rated Current [A]		Max Airflow [m ³ /h]	Rated VACUUM [mbar]	Rated COMPRESSOR [mbar]	Noise [dB A]	Weight [kg]
			△	Y	△	Y					
BX424 002 016 00	50	1.6	200÷240	345÷415	7.5	4.3	87	-480	450	61	33
	60	2.05	220÷275	380÷480	7.6	4.4	105	-430	410	66	
BX424 002 030 00	50	3.3	200÷240	345÷415	13	7.5	87	-500	750	61	39
	60	3.8	220÷275	380÷480	13.8	8	105	-510	850	66	



MODEL	A	B	B'	C2	D	E	F	G	H	H1	J	K	M	N	O	P	Q	ØR	S1	S2	S3	T	T1	U	V	V1	W
BX424 002 016 00	363	377	380	52	315	350	529	180	195	319	128	130	436	243	143	G 1/4	64	14	4	140	31	125	127	M6x17	M25x1.5	M16x1.5	32
BX424 002 030 00							554	211																			

SIDE CHANNEL BLOWERS *HP*

BX 424 002 – Double Impeller – IE2



Ref. #	Description	Code
1	Side Channel Blower – Double Impeller / Double Stage – 1" connection	BX 424 002_
2	Safety Valve	BXSV032AL36
3	Installation kit safety valve	BXKS032032C
4	In-Line filter	Paper Polyester Stainless Steel 30 µ Stainless Steel 60 µ
5	Cartridge filter	BXCF032PA007
6	Filter kit	Nipple Socket
7	Silenziatore finale	BXFS032ZP - BXFS032ZPR
8	In-Line silencer	BXIS032
9	Indoor filter	BXIF032ZP100
10	Gauge	Pressure Vacuum
11	Sleeve + Hose clip kit	BXSH032
12	Check valve	BXCV032AL
13	Anti-vibration pins	BXAV06

