

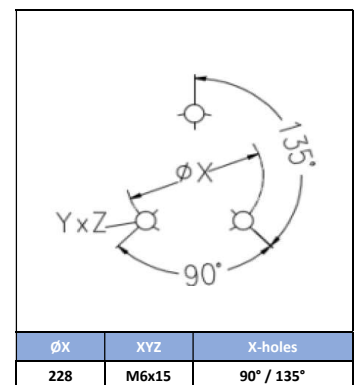
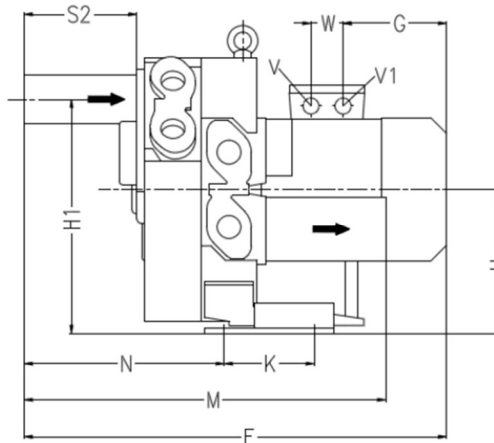
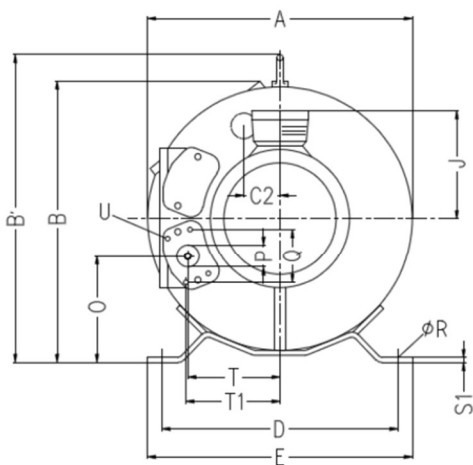
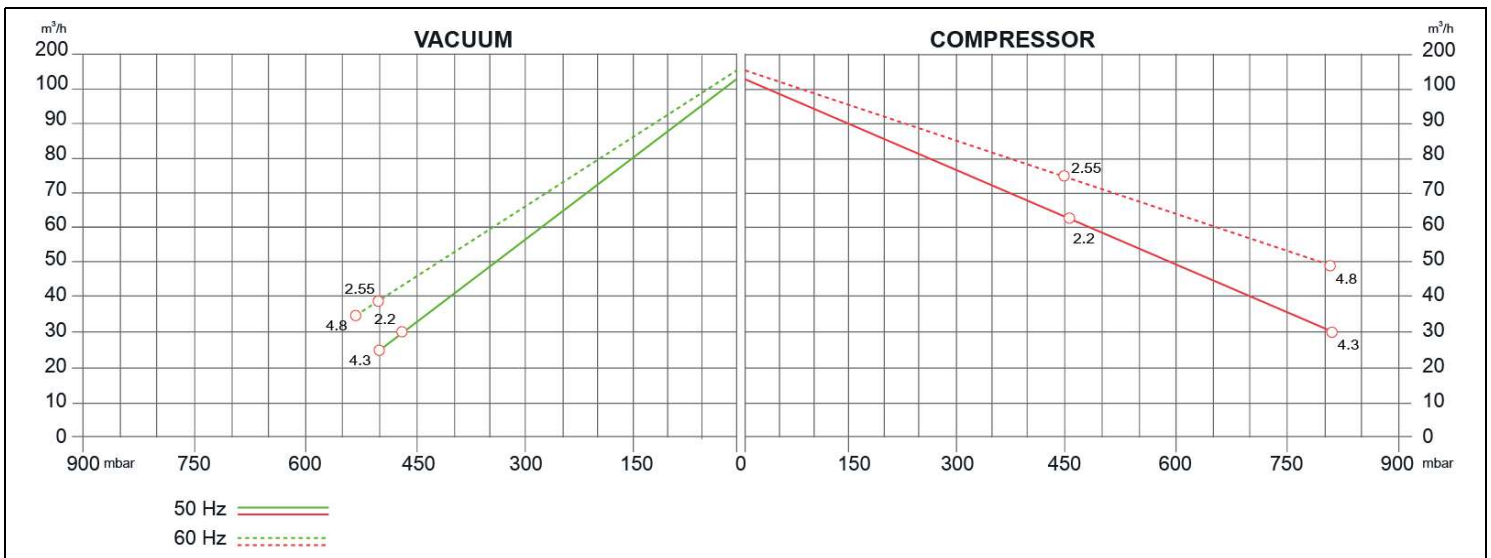
SIDE CHANNEL BLOWERS *HP*

BX 524 002 – Double Impeller – IE2



Construction of the ring blowers fans is based on the lateral ducts principle. The blowers can operate as either exhaust or compression fans and are designed for continuous service. The device is assembled directly on the motor shaft; all the rotating parts are dynamically balanced to ensure absolute absence of vibration. Full die-cast aluminum construction for maximum sturdiness and ease of handling. The characteristics data given here refer to the handling of gas with inlet temperature of 15°C, normal density of 1,23 kg/m³ and absolute pressure of 1023 mbar. Tolerance of ±10%. Max gas inlet temperature 40°.

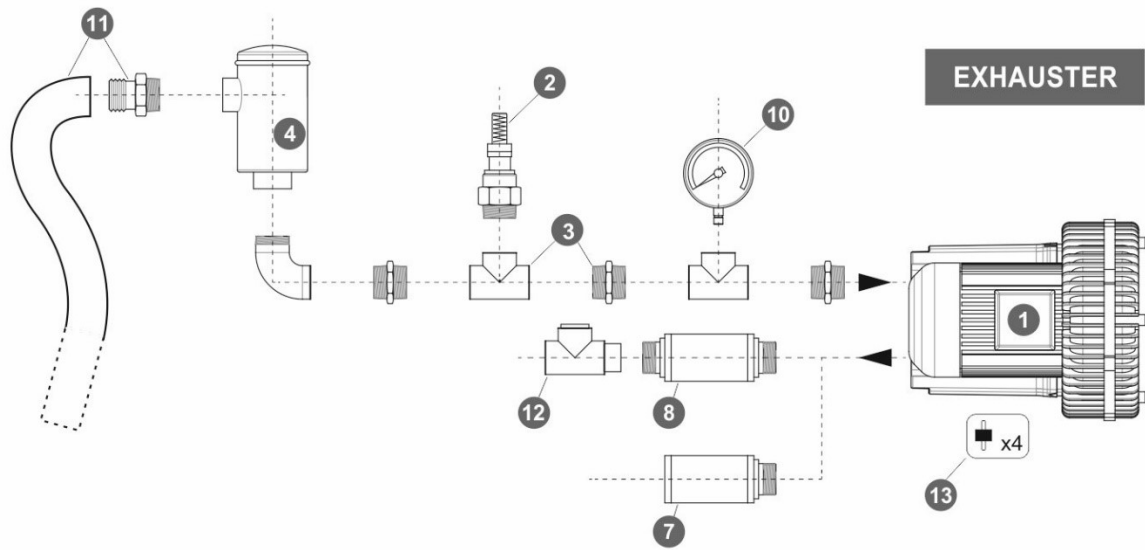
Model	Freq. [Hz]	Power [kW]	Voltage [V]		Rated Current [A]		Max Airflow [m ³ /h]	Rated VACUUM [mbar]	Rated COMPRESSOR [mbar]	Noise [dB A]	Weight [kg]
			△	Y	△	Y					
BX524 002 022 00	50	2.2	200÷240	345÷415	11.4	6.6	120	-470	460	64	40
	60	2.55	220÷275	380÷480	11.2	6.5	145	-500	450	70	
BX524 002 040 00	50	4.3	345÷415	-	9.5	-	120	-500	820	65	51
	60	4.8	380÷480	-	10	-	145	-530	810	71	



MODEL	A	B	B'	C2	D	E	F	G	H	H1	J	K	M	N	O	P	Q	ØR	S1	S2	S3	T	T1	U	V	V1	W
BX524 002 022 00	387	402	435	57	328	363	549	185	206	343	128	152	453	256	148	G 1/4	64	14	5	140	31	137	138	M6x17	M25x1.5	M16x1.5	32
603							211																				

SIDE CHANNEL BLOWERS *HP*

BX 524 002 – Double Impeller – IE2



Ref. #	Description	Code
1	Side Channel Blower – Double Impeller / Double Stage – 1"½ connection	BX 524 002_
2	Safety Valve	BXSV032AL36
3	Installation kit safety valve	-
4	In-Line filter	Paper Polyester Stainless Steel 30 µ Stainless Steel 60 µ
5	Cartridge filter	BXCF032PA007
6	Filter kit	Nipple Socket
7	Silenziatore finale	BXFS032ZP - BXFS032ZPR
8	In-Line silencer	BXIS032
9	Indoor filter	BXIF032ZP100
10	Gauge	Pressure Vacuum
11	Sleeve + Hose clip kit	BXSH032
12	Check valve	BXCV032AL
13	Anti-vibration pins	BXAV06

