

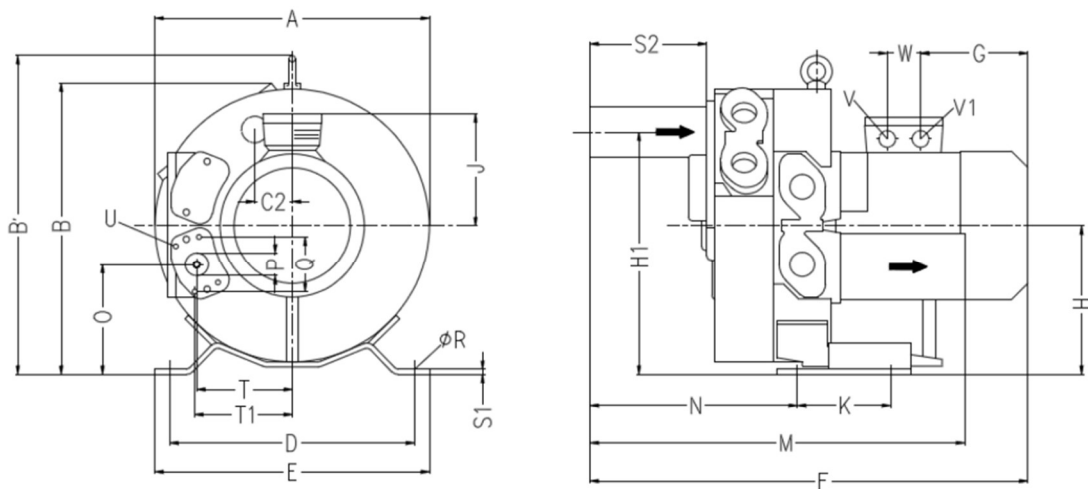
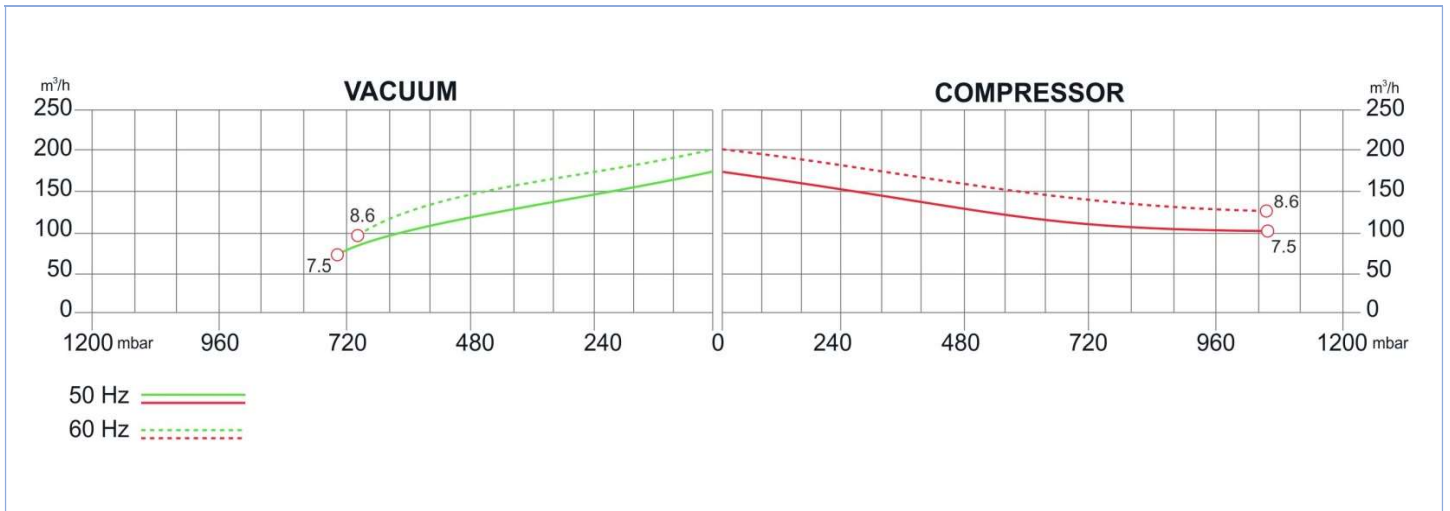
SIDE CHANNEL BLOWERS *HP*

BX 634 003 – Triple Impeller – IE2



Construction of the ring blowers fans is based on the lateral ducts principle. The blowers can operate as either exhaust or compression fans and are designed for continuous service. The device is assembled directly on the motor shaft; all the rotating parts are dynamically balanced to ensure absolute absence of vibration. Full die-cast aluminum construction for maximum sturdiness and ease of handling. The characteristics data given here refer to the handling of gas with inlet temperature of 15°C, normal density of 1,23 kg/m³ and absolute pressure of 1023 mbar. Tolerance of ±10%. Max gas inlet temperature 40°.

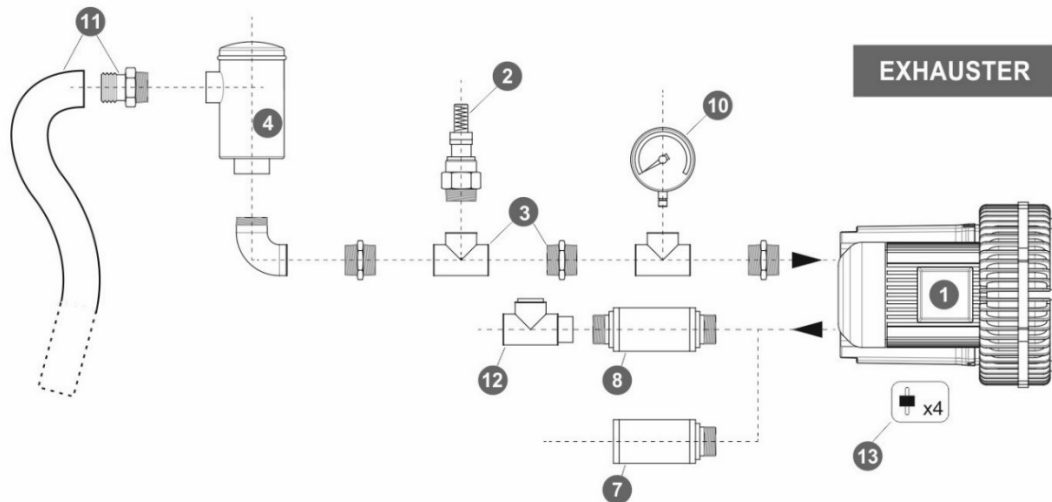
Model	Freq. [Hz]	Power [kW]	Voltage [V]		Rated Current [A]		Max Airflow [m ³ /h]	Rated VACUUM [mbar]	Rated COMPRESSOR [mbar]	Noise [dB A]	Weight [kg]
			△	Y	△	Y					
BX634 003 075 00	50	7.5	345÷415	-	16	-	170	-730	1040	72	86
	60	8.6	380÷480	-	16	-	200	-700	1040	76	



MODEL	A	B	B'	C2	D	E	F	G	H	H1	K	M	N	O	ØP	Q	ØR	S1	S2	T	U	V	V1	W1
BX0634 003 075 00	442	402	492	63	371	406	717	274	236	389	152	539	336	172	G1"¼	64	14	5	146	153	M6x17	M32x1.5	M32x1.5	42

SIDE CHANNEL BLOWERS *HP*

BX 634 003 – Triple Impeller – IE2



Ref. #	Description	Code
1	Side Channel Blower Triple Impeller / Triple Stage – Ø1 1/4" connection	BX 634 003__
2	Safety Valve	-
3	Installation kit safety valve	-
4	In-Line filter	Paper Polyester Stainless Steel 30 µ Stainless Steel 60 µ
5	Cartridge filter	BXCF032PA007
6	Filter kit	Nipple Socket
7	Final Silencer	BXFS032ZP - BXFS032ZPR
8	In-Line silencer	BXIS032
9	Indoor filter	BXIF032ZP100
10	Gauge	Pressure Vacuum
11	Sleeve + Hose clip kit	BXSH032
12	Check valve	BXCV032AL
13	Anti-vibration pins	BXAV10

